

evoFLOOR

underfloor heating system controller

The evoFLOOR wireless/wired controller regulates the temperature in 8 heating zones by controlling TTO 230V thermostatic actuators.

The controller allows for wireless or wired connection of thermostats/room panels and room temperature sensors.

Thermostats/room panels, the ecoNET Cloud mobile app, and the website econetcloud.eu enable configuration and management of zone operation.

The controller is used to build underfloor heating control systems in medium and large single-family houses, and is part of the evoSYSTEM energy management system.

features

- support for up to 8 heating zones, expandable to 32 zones
- compatible with TTO 230V actuators, NC/NO type
- wireless/wired connection of room thermostats: xTHERM60RD, xTHERM60RBD, xTHERM60P, and xTHERM30R room temperature sensors
- optional wired connection of the xTHERM TOUCH room panel
- control of the heat source and manifold circulation pump
- configuration and operation via Bluetooth/Wi-Fi using the mobile app and web interface
- LED operation indicators and function button configuration

Plum Sp. z o.o.
ul. Wspólna 19, Ignatki, 16-001 Kleosin
Nr rejestrowy BDO: 000009381

hvac.plum.pl
hvac@plum.pl

edition
1.0, 03.09.2025

features

- operates within the evoSYSTEM energy management system, which maintains comfortable temperatures in heating zones based on market fluctuations in electricity and gas prices for the selected heat source
- heating/cooling mode and dew point sensor support
- easy cable installation with detachable screw terminals and cable strain relief
- enclosure suitable for DIN 35 rail mounting or wall mounting

ecoNET Cloud app

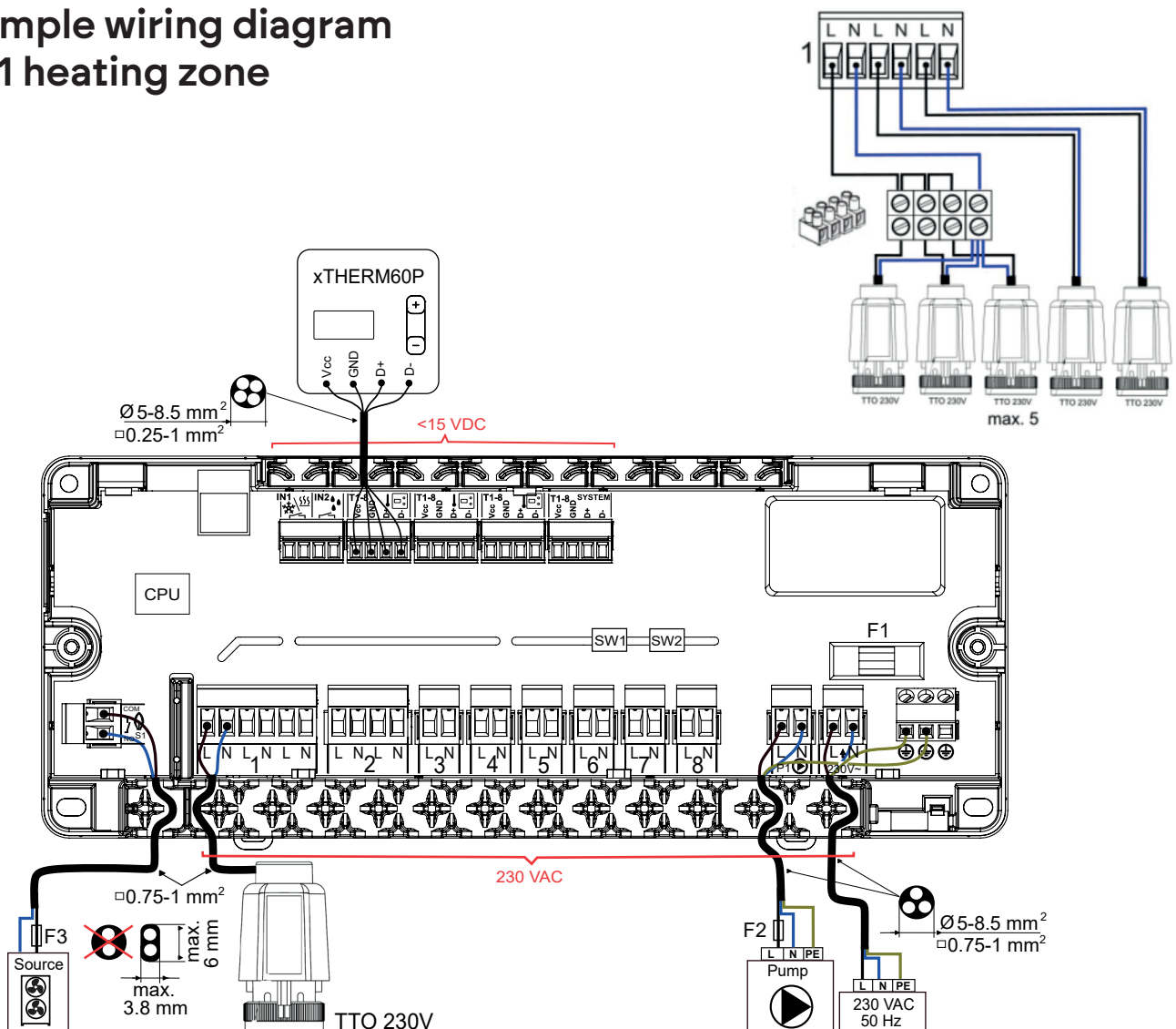


Android

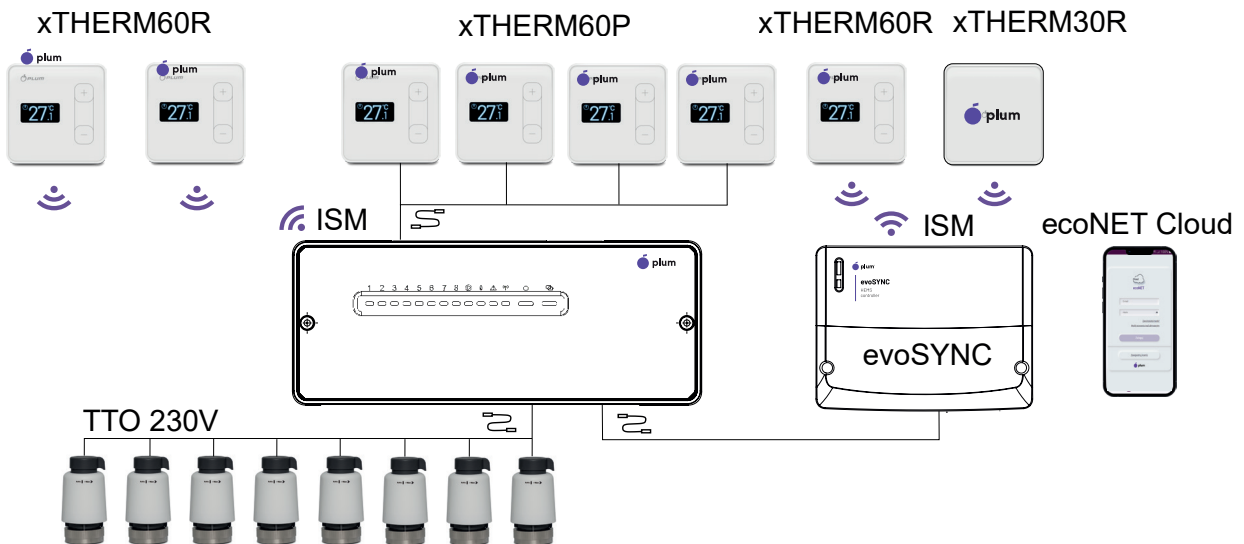
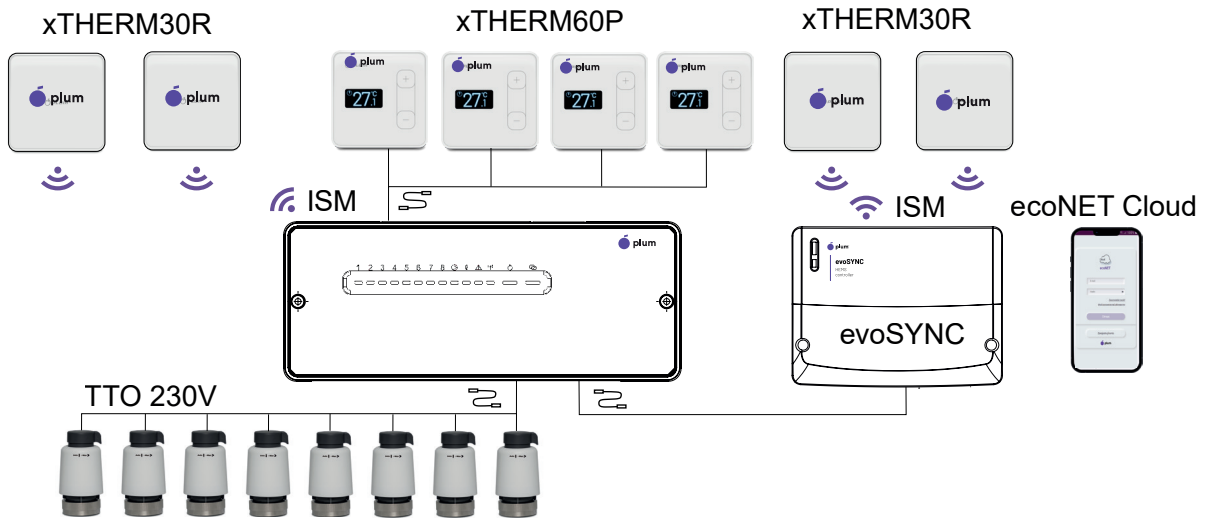
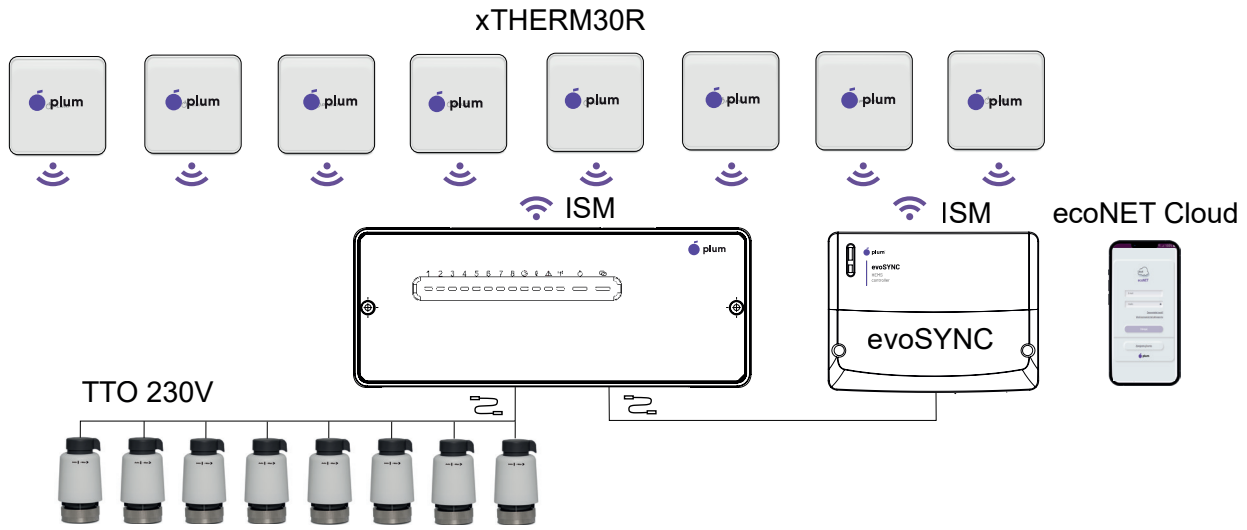


IOS

example wiring diagram for 1 heating zone



example system configurations for 8 heating zones



technical data

supply/ maximum current	230 VAC, 50 Hz / 3,15 A
protection degree	IP 20
relative humidity	5..95%
operating temperature	min. 0°C, max. 50 °C
storage temperature	min. -25°C, max. +65 °C
thermostat power supply	T1-8, 12 VDC / 1,7 W
power supply for the thermoelectric actuator	1...8 (L, N), 230 VAC / 0,3 A.
communication	RS485, bidirectional ISM radio communication (frequency band: 865...868 MHz, 868.125 MHz, transmission power: 20 mW (+13 dBm)) BT v4.2 LE
potential relay output	manifold pump: P1 (L, N), max. load 3 (3) A
potential-free relay output	heat source: S1 (NO/COM), max. load 1 A
screw terminals	conductor cross-section: -for 230 VAC: 0.75...2.5 mm ² -for ≤ 12 VDC: 0.25...1.0 mm ²
dimensions	248x100x50 mm
operation indication	LED indicator
installation method	DIN 35 rail or wall-mounted (flush-mounted)
accessories	- xTHERM 30p, 60p, 60RD, 60RBD - xTHERM TOUCH - xCLOUD - evoSYNC - ecoNET Cloud app

dimensions

